

PAR TAPS



Exposed Wall Shower and arm - Extendable

Installation Guide

Thank you for purchasing this Par Taps product



designed and built
in australia

Ver 20.2

Important Information



Prior to Installation:

- Please read these instructions completely.
- Ensure water supply lines are closed.
- All instructions serve as a guide only and must be installed by a licensed plumber. Installation carried out by unlicensed individuals will void all warranties.
- Supply lines must be flushed prior to installation to remove any foreign matter.
- All products are suitable for use with most instantaneous hot water heaters, however are not compatible with gravity-fed water systems.
- Once installation is complete, please check all joints and connections for leaks

Water Pressure & Temperature:

This Par Taps products are to be installed by a Licensed Plumber in accordance with AS/NZS 3500.1

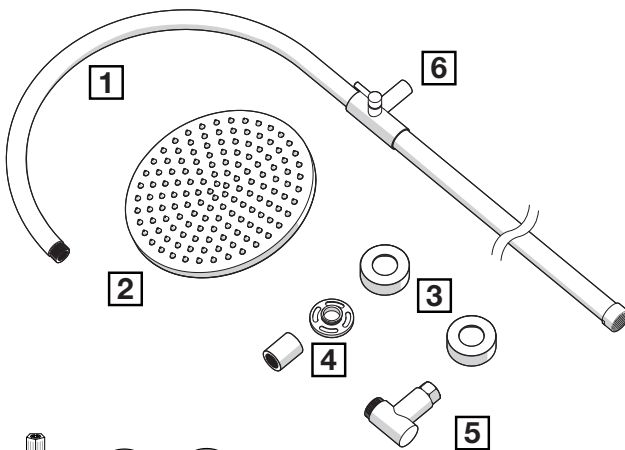
Maximum Water Temperature ----- 80° Celsius

Maximum Water Pressure ----- 1600kPa





Regulatory Maximum Water Pressure ----- 500kPa

Note: In areas where the recommended maximum water pressure is exceeded, pressure-limiting valves must be installed.

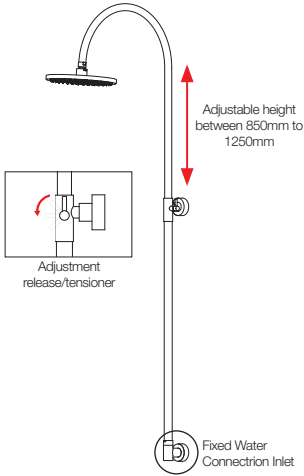
Part List



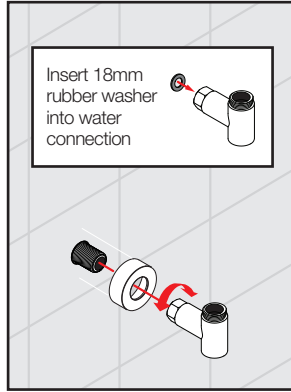
- 1** Shower Arm
- 2** Shower Rose
- 3** Wall Flange x2
- 4** Wall Bracket Mount
- 5** Water Inlet Elbow
- 6** Rail Extension Tensioner

-  Screw
x3
-  Accessory
plugs
x3
-  24mm
Rubber
x3
-  18mm
Rubber
x2

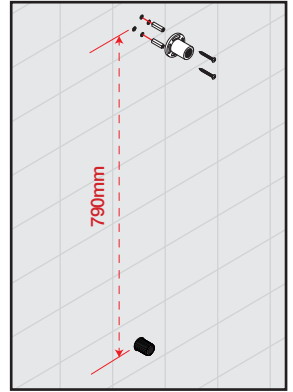
Installation



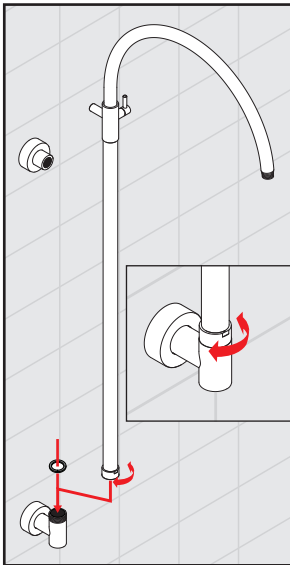
1. Slide the Flange (3) over the Water Connection Elbow (5). Then using a spanner, tighten the connector (5) to the 1/2 inch thread.



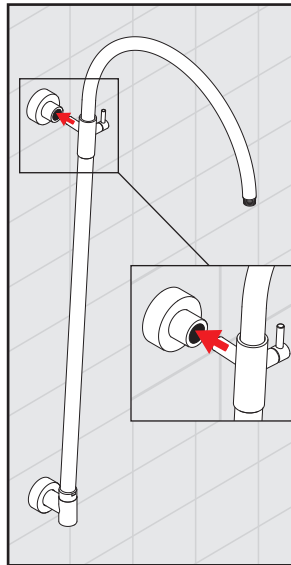
2. Measure 790mm vertically from the 1/2 inch thread. Drill and screw in the Wall Mounting Bracket (4) onto the tiled surface.



3. Insert a 24mm rubber onto the Water Connection Elbow (5), then screw the Shower Rail and Arm (1) onto the Connection Elbow (5). Tighten with a spanner



4. Locate the Tensioner pin, pushing the pin into the Wall Bracket Mount (4). Tighten the grub screw to secure.



5. Screw the Shower Rose (2) to the Arm (1) and tighten with a spanner. Check operation and test for leaks before use.

