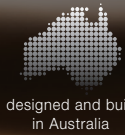


Forme Tapware

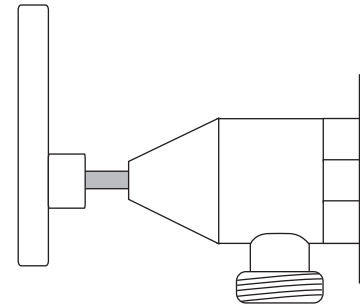
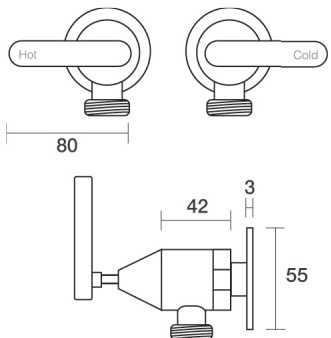
Wall Washing Machine Stops - Lever Handles - Pair



PARTAPS

Product Code
B27.091.3

- WELS Rating N/A
- 1/2 Turn Ceramic Disc Lever Handles



Finish Option 1

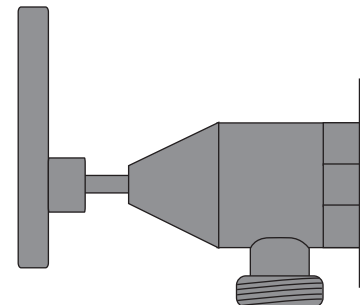
	Brushed Chrome	.02
	Chrome / White	.03
	Chrome / Ivory	.04
	Chrome / Gold	.10 ^
	Gold / White	.13
	Gold / Ivory	.14
	Brushed Nickel	.25
	Matt Black	.34

CHROME / GOLD COLOUR

^In this specification, Gold is shaded and Chrome is referenced as "colour"

Finish Option 2

	Gold	.11
	Brushed Gold	.12
	Rose Gold	.20
	Brushed Rose Gold	.21
	Gunmetal	.23
	Brushed Gunmetal	.24
	Brass Gold	.38
	Rumbled Brass	.40
	Brushed Brass	.41
	Raw Brass	.43
	Native Brass	.45
	Volcanic Gray	.54



Finish Option 3 - Upon Request

email sales@partaps.com.au for availability and pricing

FULL COLOUR

Sizes are an approximate.
All measurements shown are in millimetres.

PHONE: +61 3 9484 0960 EMAIL: sales@partaps.com.au

www.partaps.com.au

version 11.6.2019